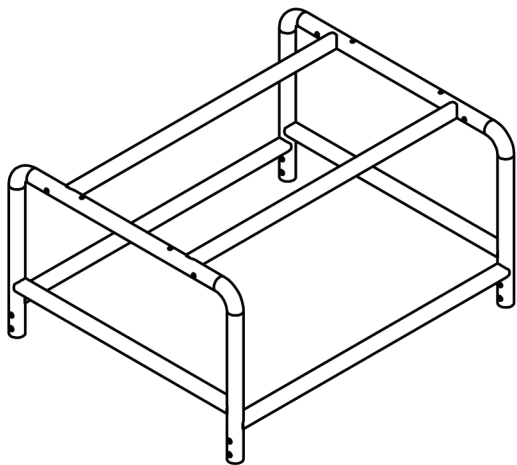
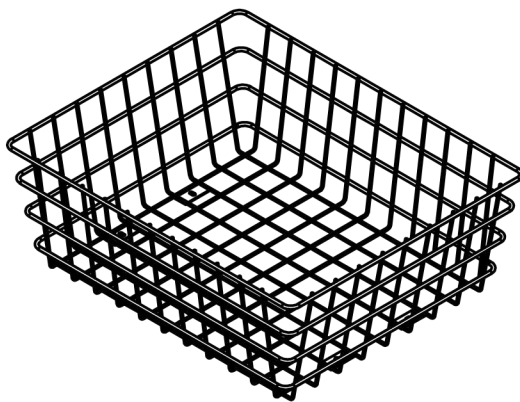


①



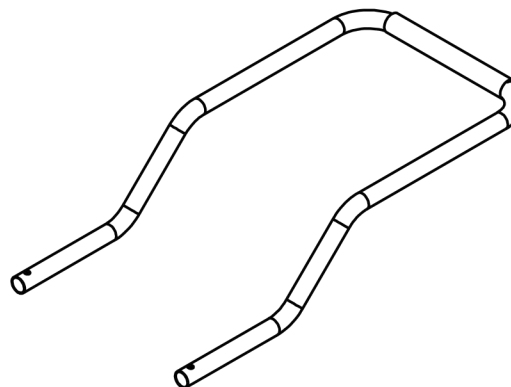
X 1 PCS

②



X 1 PCS

③



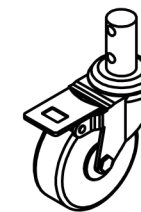
X 1 PCS

④



X 2 PCS

⑤



X 2 PCS

A



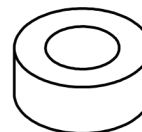
M6 X 10
4 PCS

C



M6 X 35
10 PCS

E



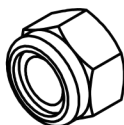
X 2 PCS

B

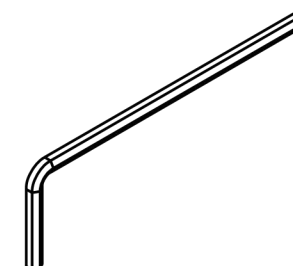
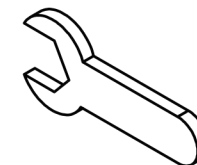


∅6
4 PCS

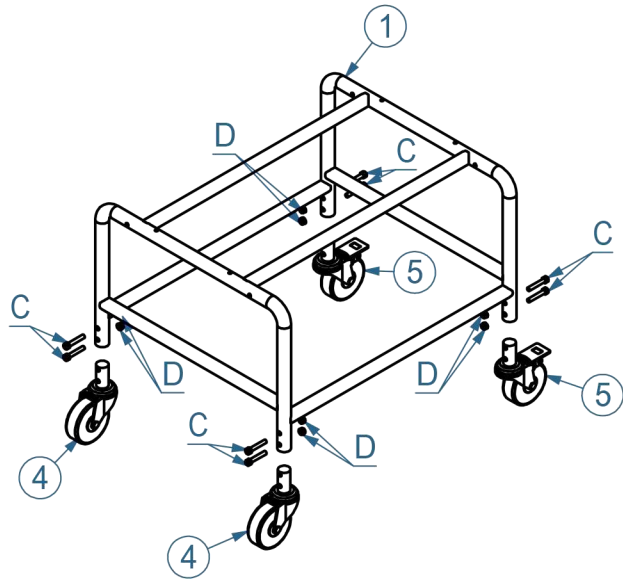
D



Nut
8 PCS

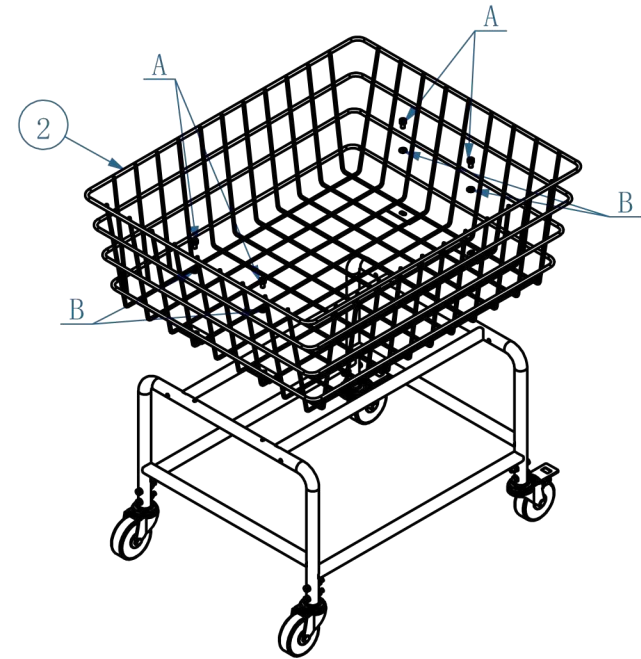


Step 1



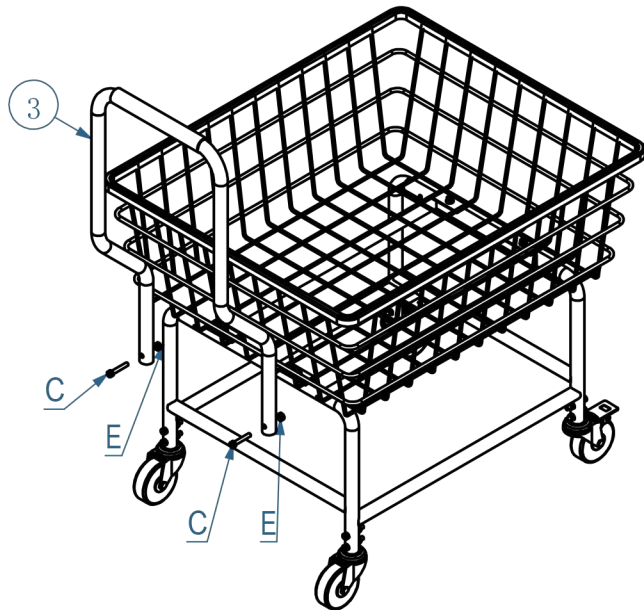
Tighten ① and ④ ⑤ with C D.

Step 2



Tighten ② and step 1 with A B.

Step 3



Insert ③ from the first grid of the basket, align it vertically with the hole position, place E in the middle and tighten it with C.

