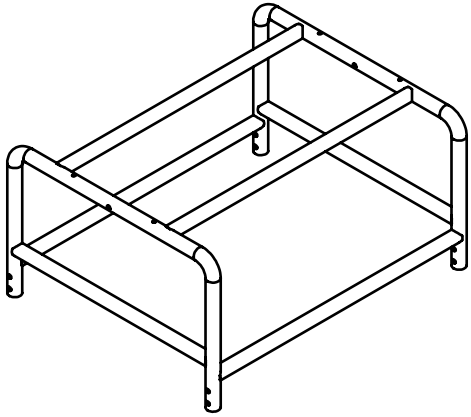
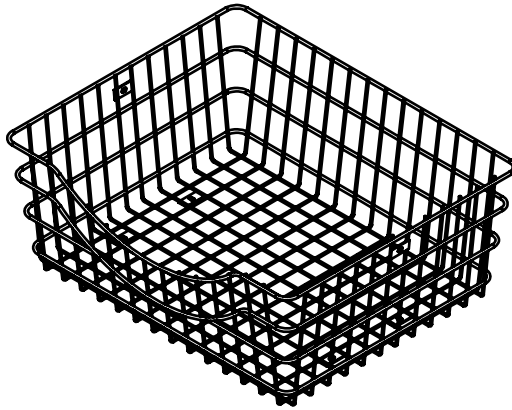


Instructions

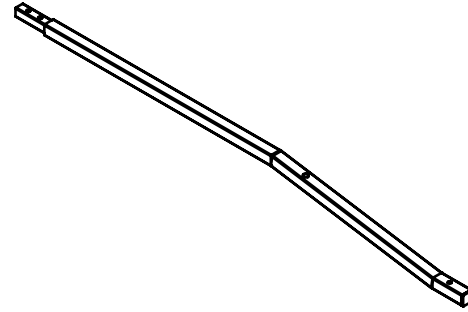
①



②

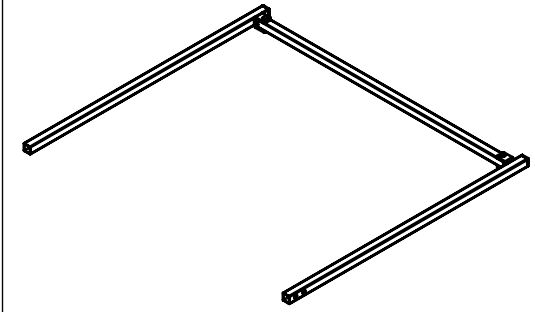


③

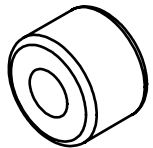


X 2 PCS

④

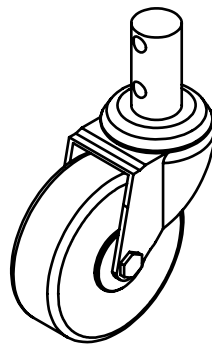


⑤



X 2 PCS

⑥



X 4 PCS

A



M6 X 45
2 PCS

B



M6 X 35
10 PCS

C



X 10 PCS

D

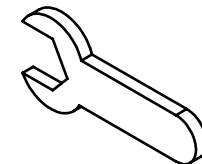


M6 X 10
8 PCS

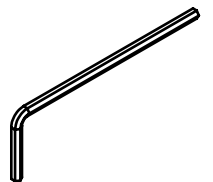
E



X 2 PCS

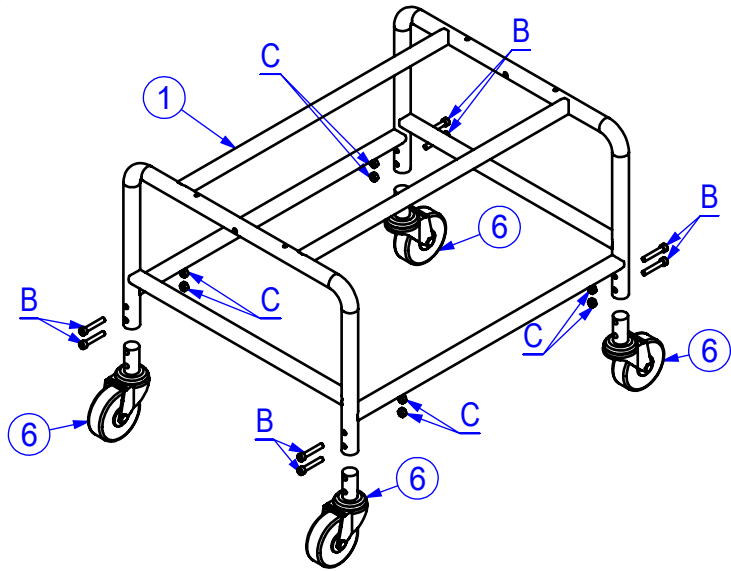


X 1 PCS



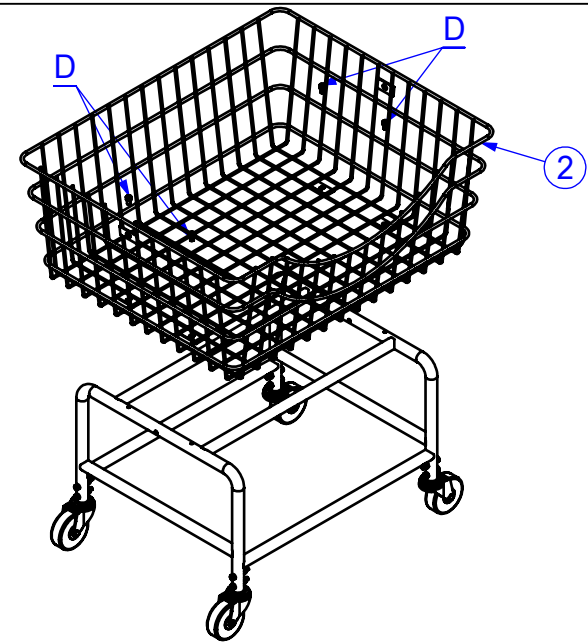
X 1 PCS

Step 1



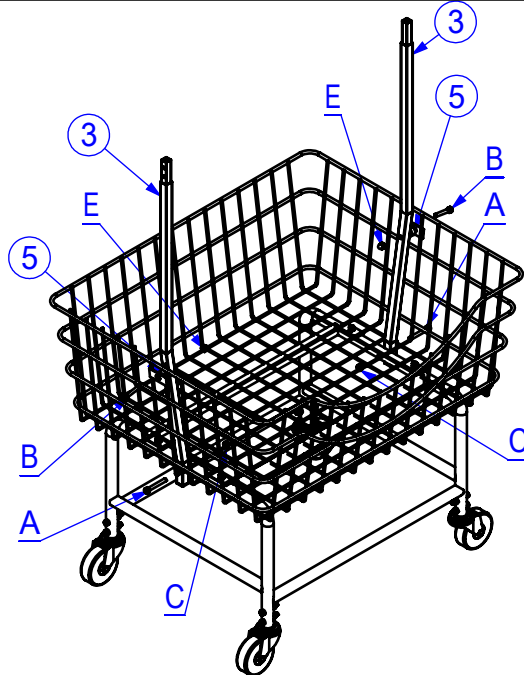
Tighten ⑥ and ① with B and C as shown in the figure.

Step 2



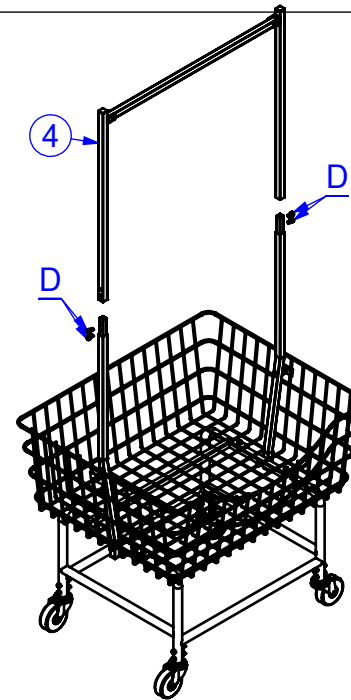
Tighten ② on step 1 with D.

Step 3



Tighten ③ on step 2, with A C and B E, and place ⑤ on the middle pad.

Step 4



Tighten ④ on step 3 with D.